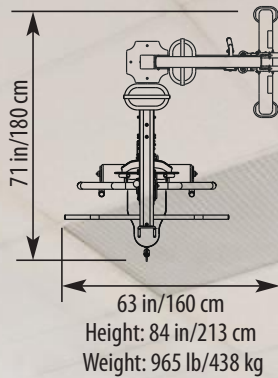


# Apollo 7200

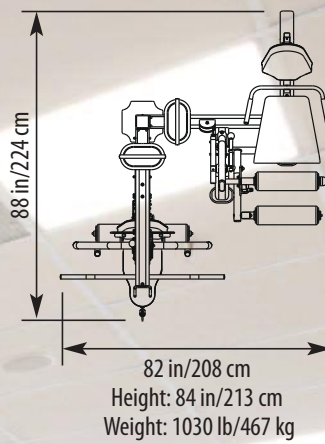
## 2-weight stacks configurations and combinations:

- Customization of station positioning.
- (2) independent 200 lbs. steel weight stacks.
- Includes AP-70CP center post.

- AP-71MP Multi Press
- AP-71HL High/Low



- AP-71MP Multi Press
- AP-71LE Leg Extension/Curl



- AP-71MP Multi Press
- AP-71LP Leg Press

