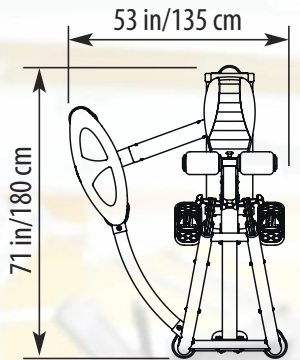


BIO-ARC TECHNOLOGY:

- Design execution of the seat relative to the pulley-handle and the line-of-travel for the Bio-Arc motion increases Latissimus activation throughout the range of motion.
- The user's entire body moves along a linear arc trajectory with the machine.
- 295 lbs. weight stack: weight lifted is the approximate combined user's weight and weight selected (see Weight Guide label).



Ht: 86 in/147 cm
Wt: 710 lb/322 kg

