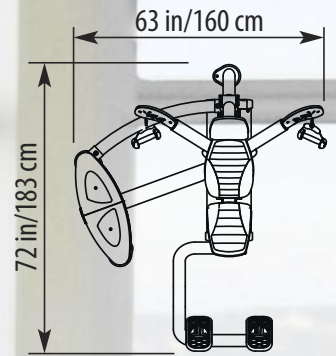


BIO-ARC TECHNOLOGY:

- Head, back and seat pads designed and positioned to maintain neutral head, neck, hip & low back positions – limiting possibility of cervical or lumbar hyperextension and injury.
- Optimized position for muscle activation through full range of motion.
- The user's entire body moves along a linear arc trajectory with the machine.
- 245 lbs. weight stack: weight lifted is the approximate combined user's weight and weight selected (see Weight Guide label).



Ht: 58 in/147 cm
Wt: 620 lb/281 kg

